



MESSENGER



FIRST UNITED METHODIST CHURCH OF TITUSVILLE
206 S. HOPKINS AVE, TITUSVILLE, FL 32796

JUNE 2018

A Big Thank You

from Pr. Fred & Kaye Ball

*Dear Friends and Members of
The First United Methodist
Church of Titusville,*

My wife Kaye and I would like
to thank you for the generous
love gifts that you have given to

us during the month of May. We are grateful for the pictures, cards, creative artwork, quilt wall-hanging, prayer shawl, handmade wooden bowls, handmade clock, and the financial assistance for the move. We especially thank the children and youth for their presentations during the May 20th Sunday worship and that wonderful luncheon reception (not only for Kaye and me – but for the graduating seniors and the new members who just joined out church). We felt the loving presence of Jesus Christ through it all. You have certainly made our lives at lot easier. Your kindness and generosity are most appreciated.

However, your greatest gift comes to us time and time again - your friendship in Jesus that has sustained us all in prayer and worship not only on Sunday mornings but also in the wonderful times of community and international ministry and mission from downtown Titusville to across the earth. You cannot do better than that!

Even though my vow of iteration has called me to serve as the pastor of Keystone U.M. Church in Odessa (NW Tampa), Florida, my thoughts and prayers will be with you and your new Pastor Wayne Cook and his loving wife, Janet. I am glad that I was able to meet your incoming pastor and his wife on Tuesday, May 15. Kaye and I feel confident that Bishop Ken Carter and his cabinet have made the correct choice in sending a successor who will continue to love you as well as help you reach out in love to your very needy community around this church.

I therefore look forward to worshipping with you in heavenly places.

Thank you again. God bless you.

Fred and Kaye Ball

P.S. While I am not allowed to return to the Titusville area and visit you in person after June 25th, you are welcome to come and visit us at our new Church: Keystone United Methodist Church, 196301 Race Track Road, Odessa, Florida 33556. Phone: 813-920-5153 or e-mail: FBall@flumc.org

P.P.S. Please send your incoming Pastor Wayne Cook (& Janet) a card or e-mail of welcome to:

c/o First United Methodist Church of Kissimmee
101 W. Dakin Ave.
Kissimmee FL 34741
or E-mail him at: WPCook61@gmail.com

Photos by Naomi Johnson



Worship Opportunities

Pentecost Season June 2018

As the season of Pentecost has arrived, we would like to invite you, your friends, relatives, associates in business, and neighbors to the many Sunday worship experiences and different speakers who will be coming to the pulpit of First United Methodist Church of Titusville.

May 27th is Memorial Sunday, Gideon Sunday, and Trinity Sunday

Mr. Joseph A. Malcom, who is from the Brevard North Gideon's camp, will bring this morning's message.

June 3rd is the second Sunday after Pentecost

Our guest preacher and communion officiant will be the Rev. David McGaffic who will portray the person of the Rev. Mr. John Wesley (founder of our Methodist Church). (He is really good!)

June 10th is the third Sunday after Pentecost

Our preacher this morning will be Parrish Medical Center Chaplain, Rev. Dr. Jerald Smith

June 17th is Father's Day and the Fourth Sunday after Pentecost

Our preacher this morning will be our own Pastor Emeritus, Rev. Dr. Robert Titus

June 24th is our Annual Independence Day Celebration and the fifth Sunday after Pentecost

The message this morning will be heard through the music and readings for the day.



Lay Liturgists/Readers for June 2018

May 27 — Debbie Grimes

June 3 — Glenda Waring

June 10 — Jerry Copeland

June 17 — Paul Grimard

June 24 — Amy Martin

June Prayer Focus

“These people . . . honor me with their lips, while their hearts are far from me, and their worship of me is a human commandment learned by rote.” — Isaiah 29:13

May 27–June 2 — Seek Wisdom

June 3–9 — Being better Christians

June 10–16 — Courage to be Committed to Christ

June 17–23 — Fathers

June 24–30 — Our Country



Sisters and Brothers in Christ,

The Bishop's Offering for Annual Conference 2018 will be divided evenly between ZOE Ministries and funding for training laity and clergy in innovative forms of evangelism.

About ZOE Ministries

According to global research, 385 million children are living in extreme poverty throughout the world. The debilitating results are disease, hunger, exploitation, abuse, illiteracy, and hopelessness. ZOE's approach has proven that children living in poverty also hold the greatest capacity to create lasting solutions for themselves, their families, and their communities.

By investing in local, indigenous leaders in seven countries on three continents, ZOE's distinctive, holistic international development model provides the vital relationships, training, and resources to empower young participants to overcome the isolation and stigmatization associated with extreme poverty. We are blessed to be able to assist Zoe Ministries in empowering children and youth to become self-reliant and able to give back to their communities and churches. www.wearezoe.org

Training Laity and Clergy

As I move about the annual conference I consistently see our churches engaged with their communities in new and exciting forms of evangelism.

Training our laity and clergy in creative and contextual ways of reaching out will be essential to sustaining and creating vital churches in the future, and in reaching new people with the gospel of Jesus Christ.

Thank you for your generosity!

The Peace of the Lord,

Kenneth H. Carter, Jr.

Florida Area Resident Bishop
The United Methodist Church

JUNE ANNIVERSARIES

8 Alexis & Jessica Colon
9 Frank & Linda Russell
11 Red & Brenda Honaker
14 Dennis & Kathy Metott
15 Bob & Janet Russell
17 Rich & Linda Wilson

18 Stanley & Sheila Etheridge
21 Truman & Barbara Scarborough, Jr.
23 Mike & Judy Brooks
26 Jan & Fay Kikta
30 Jake & Debbie Huether

JUNE BIRTHDAYS

1 Judy Hill
2 Steve Clark
2 Deidre Gariti
2 Robbin Pyles
3 Ingrid Patterson
5 Mary Ann Stallard
7 Shay Rodriguez
9 June Carter
9 Delilah Charvet
9 Michael Evans
10 Fred Henn
11 Bertie Gillespie
12 W.O. Brown

15 Ed Grimes
15 Joshua Ray
16 Kris Cooke
17 Glenda Nealeigh
18 Lois Garnett
18 Charlotte Rinehart
19 Michael Nance
20 Jennifer Evans
20 Alan Russell
21 Fran Nolan
22 Ed Springer
23 Ralph Howington
24 Herb Brown

24 RJ Cooke
25 Jan Grimard
26 Enis Nathaniel
28 Sharon Godfrey
29 Michelle Clark
29 Libby Cooke
29 Laurilee Thompson
30 Andrea Styles
30 Harold Yount



FATHER'S DAY



Father's Day is Sunday, June 17th. If you would like to have a picture displayed on the projection screen in church on Father's Day, then please send digital copies of your father, grandfather, or someone who was a father to you to the e-mail: mdavis@fumctitusville.com or bring your picture by the church office **no later than Wednesday, June 13th** at 3 pm (pictures of fathers who were previously shown during church in 2013-16 will be shown again).



YOUR ADMINISTRATIVE COUNCIL

What a pleasure it was recently for me and other members of Staff-Parish Relations to meet, greet, and have fellowship and lunch with in-coming pastor Wayne Cook and his wife, Janet.

Wayne (57) and Janet are coming to us from FUMC Kissimmee. Wayne, an accountant by trade, has been a Methodist minister for almost 20 years. According to Wayne, his faith journey has been a long one. Reared Baptist, and involved there-in till his early 20's, he met his wife, Janet, and began attending FUMC Kissimmee shortly before their marriage in 1984. It was at UMC Kissimmee that he felt a renewed call to ordained ministry. At age 38, Wayne began Asbury Seminary in Orlando, graduating in 2003 and receiving his first appointment to Grace Church in Fort Myers. Janet is finishing her 32nd year of teaching in the public school system, her passion/discipline being able to teach READING. They're both anxiously and excitedly awaiting the arrival of their first grandchild in the next few weeks!

Back to our initial visit....We met at the church office, mid-morning, May 15th and spent the first 2 hours getting to know one another, listening and learning about Wayne and Janet's family and also their journey with their both evident and abundant Christian faith. We toured the grounds of FUMC and they were amazed at all we do in the name of Christ, what we offer to our loyal and loving congregation, our numerous Outreach Ministries to the Titusville community, and how great stewards we have been for these almost 150 years at First Church. They were very positive and complimentary.

No first visit would have been complete without a lunch at Dixie Crossroads...a no brainer! It seemed for all of us on SPR like we were having lunch and fellowship with old friends.

One final thought: These next few weeks of transition for all involved will at times be joyous, at other times maybe somewhat sad and stressful. That's why I've recently asked all the Sunday school classes, both children's and adults, to begin a campaign of PRAYER between now and July 1st. Let us ALL pray for our church, let us ALL pray for Pastor Fred and Kaye, let us ALL pray for Wayne and Janet, as we navigate this transition with both the dignity and grace FUMC Titusville is known for. Let this transition be GOD-led...for if that is so, all of us will reap his blessings both now and for many more years to come.

Respectfully,

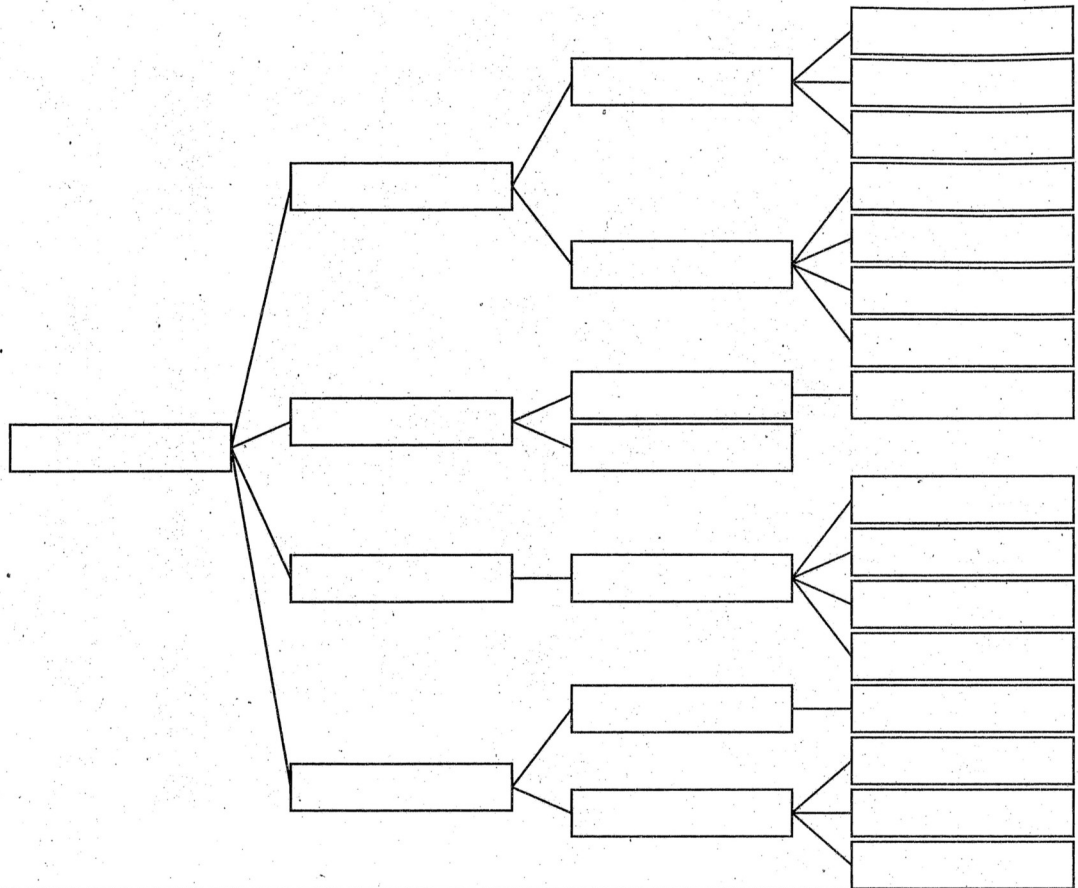
Dale Mays

Administrative Council Chairperson, 2016-2018

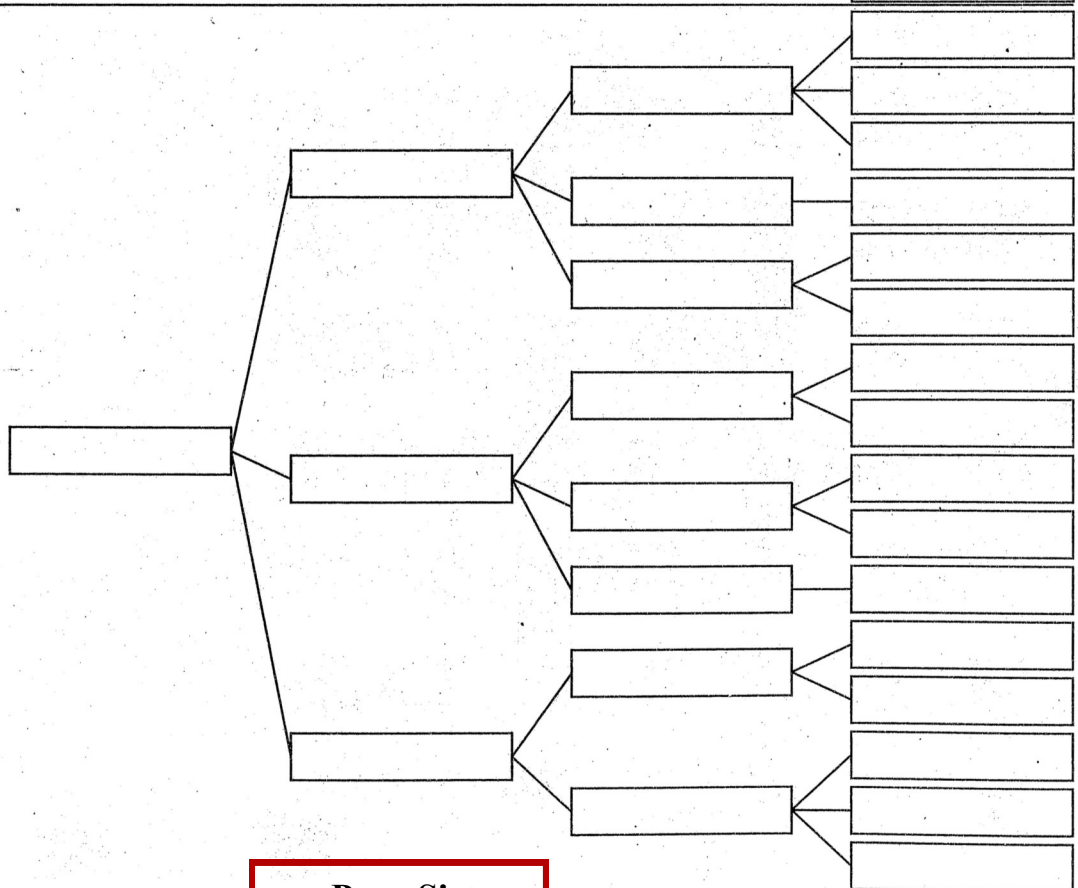
Branching Out 1 & 2

Place the words from the list into the boxes so that any pair connected by a line will form a compound word or common two-word phrase. Use each word only once. Answers on page 92

- BEER
- BOARD
- BOILER
- BRACE
- CLASP
- DODGER
- DOWN
- DRAFT
- EGG
- FLESH
- GOOSE
- HEAD
- HOLDER
- HOLE
- NECK
- PIE
- POT
- RACK
- ROAD
- ROLL
- SIDE
- STEP
- TACK
- TIE
- TRACK
- WAITER
- WALK
- YOURSELF



- AXE
- BOARD
- BREAK
- BRUSH
- BURN
- FAIRY
- FIRE
- FLOOR
- FRONT
- GODMOTHER
- HEART
- LAND
- LORD
- MARK
- MINE
- NECK
- PICK
- POCKET
- RADIO
- RUBBER
- SHOP
- SHOW
- SWEET
- TALE
- TALK
- TOOTH
- TURKEY
- WAX



Simple as A-B-C

For each number on the left, there are three clues for five-letter words: One for Column A, one for Column B, and one for Column C. The last two letters of the answer in Column A are the first two letters of the answers for Column B; the same is true of B and C. When you have all the answers in place, read DOWN the circled columns for a clever observation.

Answer on page 94

CLUES A

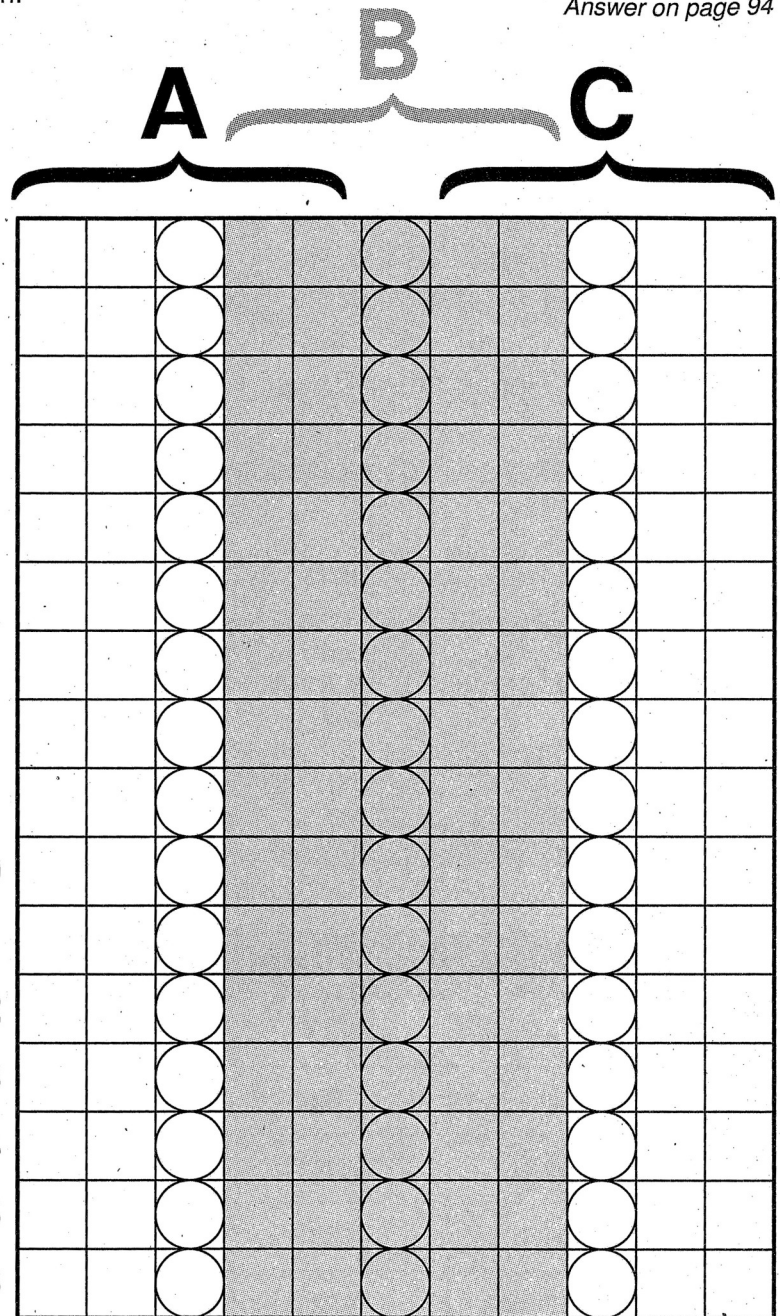
- 1 Reporter Morley
- 2 Chair rung
- 3 The "Mo" of Motown
- 4 Spiritual expedition
- 5 Rounded projection
- 6 11-year-old, slangily
- 7 Use a plane
- 8 With peculiarity
- 9 Foundation
- 10 Chair-leg turner
- 11 Daddy Warbucks, to Punjab
- 12 Kilt fold
- 13 Ostriches' kin
- 14 Slap on the ____
- 15 Alluvial triangle
- 16 Dig

CLUES B

- 1 Lake Indians
- 2 Subject of Mariner 10 photos
- 3 Choir's accompaniment
- 4 Eyeball
- 5 Artistic category
- 6 Over with
- 7 Hindu holy books
- 8 Ode description
- 9 "I, Robot" author Asimov
- 10 Georg of German Idealism
- 11 "Hedda Gabler" dramatist
- 12 They brought Space Invaders into the living room
- 13 Mecca pilgrim's faith
- 14 Vermont ski resort
- 15 Actress Roberts
- 16 Eschewer of animal products

CLUES C

- | | |
|---------------------------------|-----------------------------------|
| 1 Name on a bottle of Beautiful | 8 Religious images |
| 2 One in a wedding photo | 9 "Bless you" prelude |
| 3 Positive pole | 10 Fill with joy |
| 4 Change the clock | 11 Malaise |
| 5 Like an adolescent's voice | 12 Conservative's position |
| 6 "War" singer Starr | 13 Mosey |
| 7 Fire leftovers | 14 Withdraws gradually |
| | 15 Dennis Conner's transportation |
| | 16 Sarcophagus symbols |



What's Happening

Volunteer Work Day

Saturday, June 2nd @ 7:30 a.m.



Please save the date of Saturday, June 2nd in order to volunteer to work around First UM Church at 7:30 am. Your grounds committee has a few volunteer jobs that need to be done so that your church can be a more beautiful place in which to worship God and do ministry and mission. We are in need of people to do various tasks inside and outside the church. Please bring your work clothes, a pair of work gloves, and yard tools (we may also do some inside work as well). We will meet at the church's office complex at 7:30 a.m. to receive our assigned tasks. Thank you in advance.



Christmas in July



Hear ye! Hear ye! The Christmas season is upon us! Yes, Christmas has come early to First United Methodist Church of Titusville. For that reason we will be having a great feast to celebrate the birth of our most Holy Saviour, Jesus Christ!

The United Methodist Women and the United Methodist Music Department will be holding a medieval madrigal feast on July 29th at 3:00 p.m. All proceeds raised will go to our Christmas Store to help families in need during the December Christmas season. Come join in the revelry and music of this medieval-themed Christmas event.

Tickets will be available starting June 11th. Please see Brenda Pittman at church or contact the church office at 321-269-7631 for tickets, prices, and more information.



The church had a terrific time giving Sandi Bandieri a fun and loving send off on Wednesday, May 23rd. Sandi has done so much to help bring this church together as well as to reach out to the community. She has a wonderful knack for putting together events that bring the church out to the community as well as bringing the community to our church. We pray that Sandi and her husband, Deno, will be blessed and happy in their move back to New Hampshire; as blessed and happy as we are to have the memories of her loving friendship and work with this church.

*“Thousands of candles can be lit from a single candle, and the life of the candle will not be shortened. Happiness never decreases by being shared.”
- The Buddha*



Spaghetti Lunch

Sunday, June 24th @ 11:15am

There will be a spaghetti luncheon held after the church service as a fundraiser for the United Methodist Children’s Home.

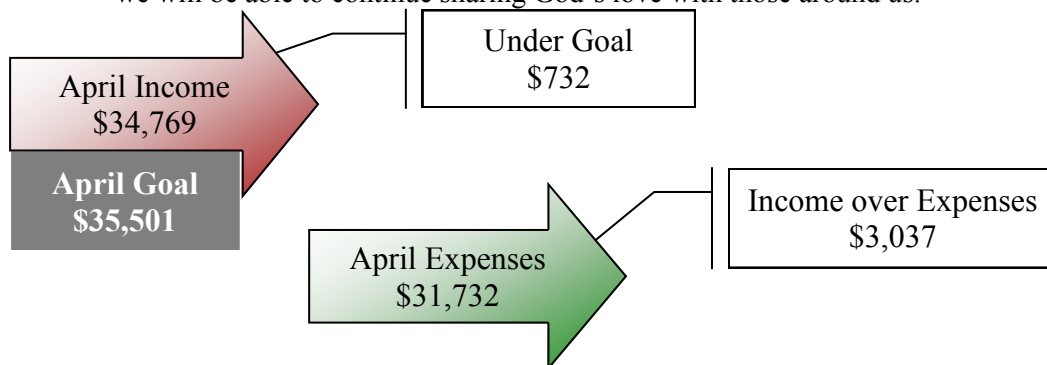
Tickets will be sold for \$8/adult & \$5 for youths.
Children aged 4 and under eat for free.

See Ingrid Patterson or Kitty Baldwin for tickets or come by the front office during office hours:
Monday-Friday, 8am-4pm.



The Church’s Budgeted Finances

The Finance Committee appreciates your contributions and donations. With your support we will be able to continue sharing God’s love with those around us.



The budget for the 2018 is **\$426,005** which was divided evenly making each month’s goal \$35,501 rather than being weighted differently throughout the year.

Adult Ministries

ADULT COLORING – First Monday each month @ 10:30 a.m.

Teas & More at Searstown Mall — Coffee is available if you don't drink tea and pastries, too. Many adults find coloring relaxing, a time to reflect, and fellowship. Bring a coloring book and colored pencils. We will have extra supplies on hand.

KNIT WITS – Tuesdays @ 11:00 a.m.

Anyone wishing a beginners class is welcome. Hope to see you there.

LADIES DAY OUT – 1st & 3rd Thursday of each month

June 7th @ 11am – Lunch at Ashley's in Rockledge. The bus will leave church at 10:45 a.m.

June 21st @ 9am – Trip to Mt. Dora for lunch and possibly a boat ride.

To reserve a space, call Carol Stephens at 321-267-2600.

BIBLE STUDY — **Jonah: Navigating a Life Interrupted** by Priscilla Shriver

Thursdays @ 1pm - Adult Studies Room - Led by Adrienne Herrell

LINE DANCING – Thursdays @ 2:30 p.m. in the Fellowship Hall

Join Adrienne for fun and exercise.

SUNDAY NIGHT FAMILY SHARING GROUP

A small group fellowship and study that meet once a month. Call Pat Clark for more information.

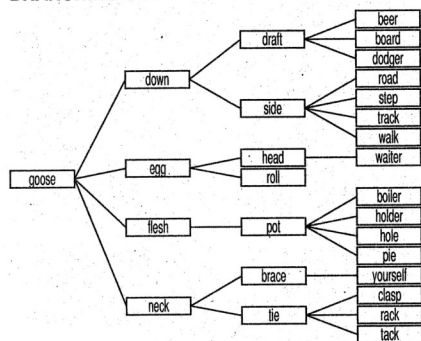
**To sign up for any of these programs,
check the table in back of the sanctuary**

or

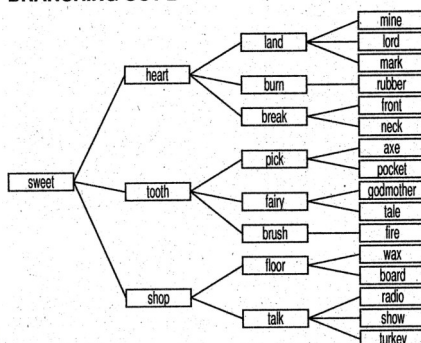
call at 269-7631 and leave a message.

It's very important to sign up so we can prepare for the program.

BRANCHING OUT 1



BRANCHING OUT 2



SIMPLE AS A-B-C

S	A	F	E	R	I	E	S	T	E
S	T	A	V	E	N	U	S	H	E
M	O	T	O	R	G	A	N	O	D
Q	U	E	S	T	A	R	E	S	E
B	U	L	G	E	N	R	E	E	D
T	W	E	N	D	E	D	W	I	N
S	H	A	V	E	D	A	S	H	E
O	D	D	L	Y	R	I	C	O	N
B	A	S	I	S	A	A	C	H	O
L	A	T	H	E	G	E	L	A	T
S	A	H	I	B	S	E	N	N	U
P	L	E	A	T	A	R	I	G	H
K	I	W	I	S	L	A	M	B	L
W	R	I	S	T	O	W	E	A	N
D	E	L	T	A	N	Y	A	C	H
D	E	L	V	E	G	A	N	K	H

Fate leads the willing, and drags along those who hang back. (Seneca)

June 2018

First United Methodist Church

Sunday	Monday	Tuesday	Wednesday	Thursday	Friday	Saturday
3 9:00am Sunday School 10:00am Worship	4 10:30am Adult Coloring 3:00pm Worship Design 7:00pm SPR Committee Mtg.	5 11:00am Knit Wits 5:00pm Joyful Noise (bell choir)	6 9:00am Patchwork Friends 6:00pm Ladies Choir 6:00pm Men's Quartet 7:00pm Chancel Choir	7 9:30am Ladies Day Out 2:30pm Line Dancing	8 12:00pm Instruments of God 1-3:30pm Food Pantry 6:00pm Youth Getaway	9 8:00am Comm. Breakfast 9:30am Celebrate Recovery 11:45am TOPS
10 9:00am Sunday School 10:00am Worship 3:00p.m. Nell Rudisill's Funeral	11 1:00pm Sara Fernandez Staff Meeting 3:00pm Worship Design 5:30pm Finance Comm. Mtg.	12 11:00am Knit Wits 5:00pm Joyful Noise (bell choir)	13 6:00pm Ladies Choir 6:00pm Men's Quartet 7:00pm Chancel Choir	14 2:30pm Line Dancing 6:30pm Safety & Sec. Team Mtg.	15 12:00pm Instruments of God 1-3:30pm Food Pantry 6:00pm Youth Getaway	16 8:00am Comm. Breakfast 9:30am Celebrate Recovery
17 Father's Day 9:00am Sunday School 10:00am Worship	18 3:00pm Worship Design 7:00pm Trustees Mtg.	19 11:00am Knit Wits 3:30pm Dove Circle 5:00pm Joyful Noise (bell choir)	20 6:00pm Ladies Choir 6:00pm Men's Quartet 7:00pm Chancel Choir	21 11:00am Ladies Day Out 2:30pm Line Dancing	22 7:00am TOPS 12:00pm Instruments of God 1-3:30pm Food Pantry 6:00pm Youth Getaway	23 8:00am Comm. Breakfast 9:30am Celebrate Recovery
24 9:00am Sunday School 10:00am Worship 11:15am Spaghetti Dinner	25 3:00pm Worship Design	26 11:00am Knit Wits 5:00pm Joyful Noise (bell choir)	27 6:00pm Ladies Choir 6:00pm Men's Quartet 7:00pm Chancel Choir	28 2:30pm Line Dancing	29 12:00pm Instruments of God 1-3:30pm Food Pantry 6:00pm Youth Getaway	30 7:30am UMM Breakfast 8:00am Comm. Breakfast 9:30am Celebrate Recovery



Table of Contents

Page One — Message from Fred & Kaye Ball
 Page Two — Worship Opportunities / Prayer Focus / Lay Readers
 Page Three — District News
 Page Four — Birthdays / Anniversaries / Father's Day
 Page Five — Message from YOUR Admin. Council
 Page Six — Puzzle
 Page Seven — Puzzle
 Page Eight — What's Happening!
 Page Nine — What's Happening! / Budget
 Page Ten — Adult Ministries / Puzzle Solutions
 Page Eleven — June Calendar
 Page Twelve — Table of Contents / Church Info

First United Methodist Church
 206 S. Hopkins Ave
 Titusville, FL 32796

Sunday School: 9:00 a.m.
 Worship Services: 10:00 a.m.

Church Office Hours: 8am – 4pm, Monday - Friday
 Closed from 12:00 – 12:30 p.m.

Phone: (321) 269-7631
 Fax: (321) 269-8359
 E-mail Address: office@fumctitusville.com
 Website: www.fumctitusville.com
 Facebook: www.facebook.com/682694095204027



FUMC Staff

1	Rev. Fred Ball - Pastor	Ext 204
2	Mario Davis - Administrative Assistant	Ext 207
3	Keith Meck - Facilities Manager	Ext.202
4	Director Adult Ministries	Ext 206
5	Carol Henn - Music Director	Ext 209
6	Nursery	Ext 208
7	Reception Desk	Ext 201
8	Amy Martin - Director Children's Ministries	Ext 205
9	Dr. Bob Titus - Pastor Emeritus Home: 321-603-0235 Cell: 321-289-1657	
10	Keith Cooke - Financial Secretary	
11	J.D. Daniel - Organist	
12	Steve Rossi - Sound Tech	
13	Josh Huss - Lights and Visuals	
14	Jim Burt - Custodian	